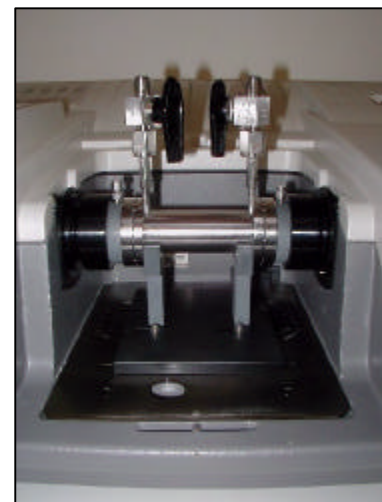
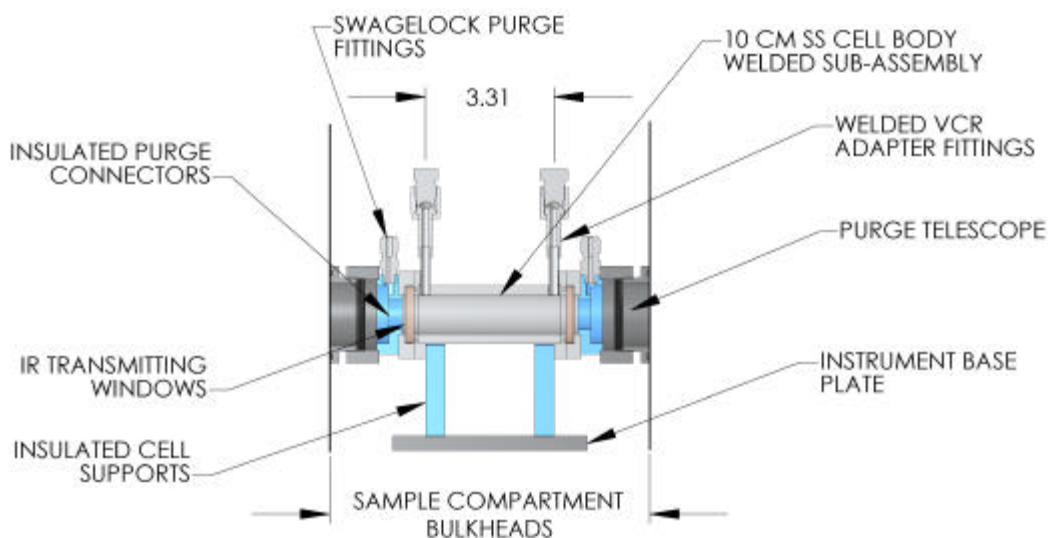


**Mercury Series Gas Cells**  
**10 centimeter single-pass gas cell**



**Part Number**

**Description**  
**Mercury Series Gas Cells**

**Price**

MERC-0.1L/10CM-VCR-PRG

Mercury Series Single Pass Gas Cell. Baseplate and mounting fixture for center-focus FTIR with telescoping purge tubes to seal against sample compartment bulkheads (1/8" SS Swagelock purge connections provided). Sample line connections 1/4" SS welded VCR fittings. Comes with two 37.5mm x 4mm KBr windows.

\$3,800.00

**Pathlength:** 10 cm

**Volume:** 0.1 liters

**Cell Body:** electropolished SS

**Cell Hardware:** aluminum black anodized

**Optical Coating:** n/a

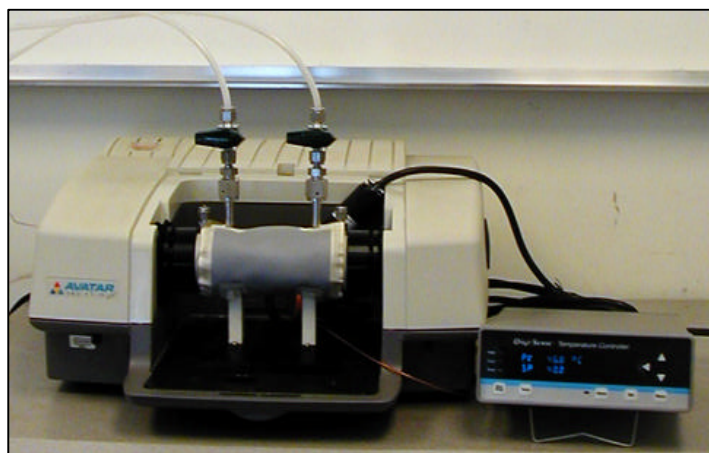
**Temperature Range:** ambient-200 C

**Pressure Range:** vacuum-30 p.s.i.

Part #: MERHJ-10CM-KIT-110

Description: Heating Kit for 10 cm Mercury Series gas cell, includes insulating hardware and heater

\$940.00



Gemini Mercury  
 Series Gas Cells

