

# Mars Series Multi-Pass Gas Cells



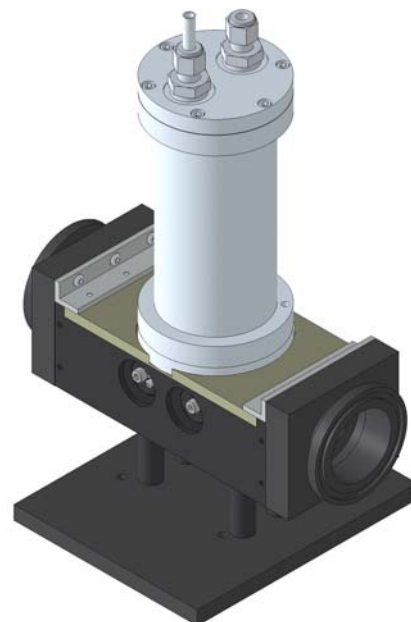
corrosion-resistant long path cells for extreme duty

MARS-0.2L/3M

MARS Series Long Path Gas Absorption Cell for FTIR gas analysis. Mounting fixture and transfer optics for center-focus FTIR. Optics mounted on easily removable sub-assemblies. SS valves and fittings with 1/4" Swagelok connections and flow tube. Comes with two 25mm x 4mm KBr windows as standard.

\$6,800.00

**Pathlength:** 3 meters, fixed  
**Volume:** 0.2 liters approx.  
**Cell Body:** aluminum electroless nickel  
**Cell Hardware:** aluminum electroless nickel  
**Optical Coating:** GemGold protected HI-IR  
**Temperature Range:** ambient-200 C.  
**Pressure Range:** vacuum-45 p.s.i.



MARS-0.375L/4.2M

MARS Series Long Path Gas Absorption Cell for FTIR gas analysis. Mounting fixture and transfer optics for center-focus FTIR. Optics mounted on easily removable sub-assemblies. SS valves and fittings with 1/4" Swagelok connections and flow tube. Comes with two 25mm x 4mm KBr windows as standard.

\$7,800.00

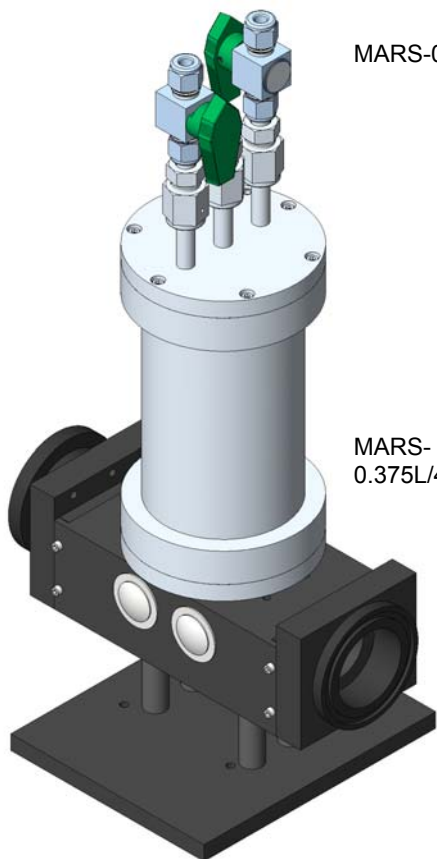
**Pathlength:** 4.2 meters, fixed  
**Volume:** 0.375 liters approx.  
**Cell Body:** aluminum electroless nickel  
**Cell Hardware:** aluminum electroless nickel  
**Optical Coating:** GemGold protected HI-IR  
**Temperature Range:** ambient-200 C.  
**Pressure Range:** vacuum-45 p.s.i.

MARS-0.375L/4.2M-SS

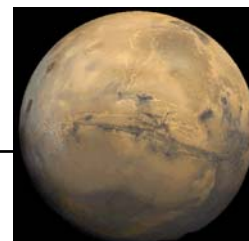
MARS Series Long Path Gas Absorption Cell for FTIR gas analysis. Mounting fixture and transfer optics for center-focus FTIR. Optics mounted on easily removable sub-assemblies. SS valves and fittings with 1/4" VCR connections and flow tube. Comes with two 25mm x 4mm KBr windows as standard.

\$10,800.00

**Pathlength:** 4.2 meters, fixed  
**Volume:** 0.375 liters approx.  
**Cell Body:** electropolished 316 SS  
**Cell Hardware:** electropolished 316 SS  
**Optical Coating:** GemGold protected HI-IR  
**Temperature Range:** ambient-200 C.  
**Pressure Range:** vacuum-45 p.s.i.



## Gemini Mars Series Gas Cells



Gemini Scientific Instruments 6061 Dale Street #Q  
Buena Park, CA 90621 [www.gascell.com](http://www.gascell.com)  
tel: (714) 994-2295 fax: (714) 994-2296